



DS215

Full range professional speaker

User's manual

USER'S MANUAL

ED-B3-MA-060331-002



Features:

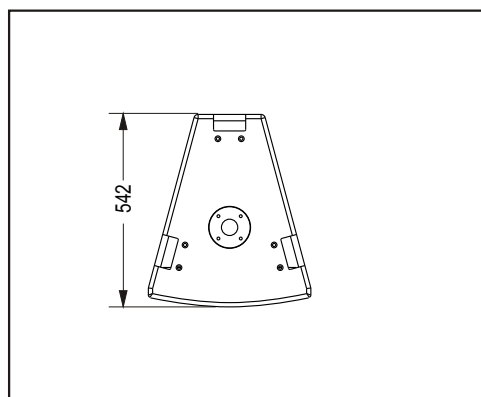
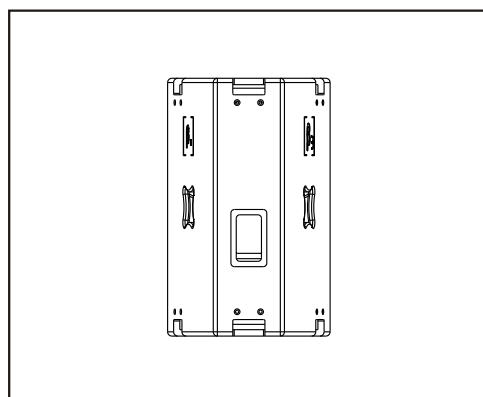
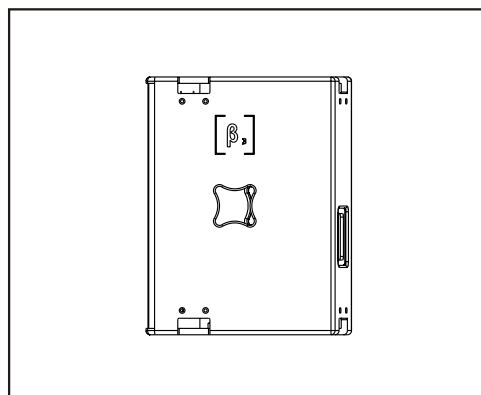
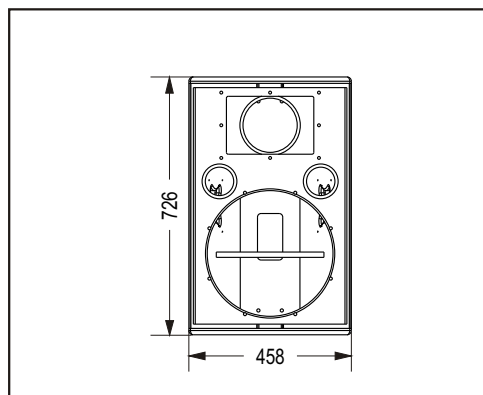
- **Two transducers two way phase-reversed full range professional speaker, professional and efficient transducers, computer simulating design.**
- Two transducers two way full range
- High SPL and sensitivity speaker
- One 15" big power low frequency transducer
- One compression driver with 3" titanium diaphragm
- Driven by one amplifier 80° × 50° width direction to get more widely enlarge capability
- With computer optimize simulated design to get better frequency and phrase features
- Multiple flexible installation methods
- Suitable for full sound field enlarge, club and dancery etc publics using
- Suitable for any big sound engineering project or enlarge, returning listen, repair listen of fluxion performance system
- Used for high quality output replaying music,
- Can be assorted with ΣB115H、ΣB118D、ΣB218 high capacity bass box



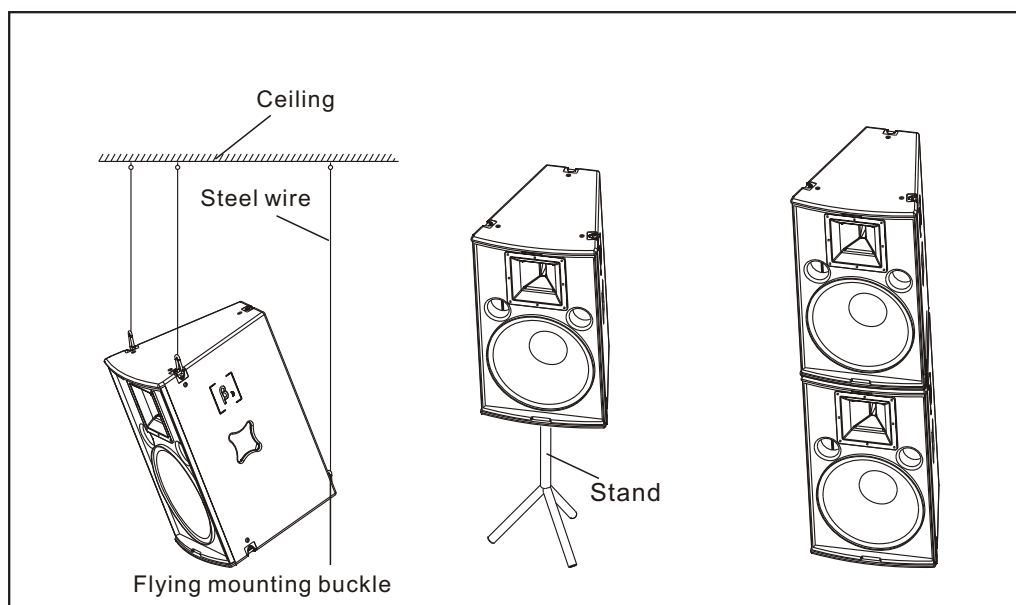
Specifications:

Fequency Response(-3dB):	48HZ-15500Hz
Sensitivity(1m/1W):	94dB
Crossover Frequency:	1900Hz
Dispersion(H×V):	80° × 50°
Rated Power(RMS):	500W
Rated Impedance:	8 Ohm
DC Impedance:	5.6 Ohm
THD:	<3%
Input Connectors:	NL4×2
Net Weight(1Pcs):	43Kg
Gross Weight:	51Kg
Dimensions (W×D×H):	458×542×726mm
Packaging Dimensions 1pcs/pack(W×D×H):	658×574×846mm

Cabinet Dimension:



Installation drawing:



DS215
FULL RANGE PROFESSIONAL SPEAKER