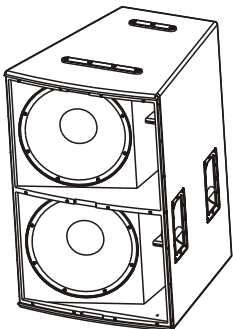




DS218B

PROFESSIONAL SUBWOOFERSPEAKER

USER'S MANUAL



ED-B3-MA-060322-002



Features:

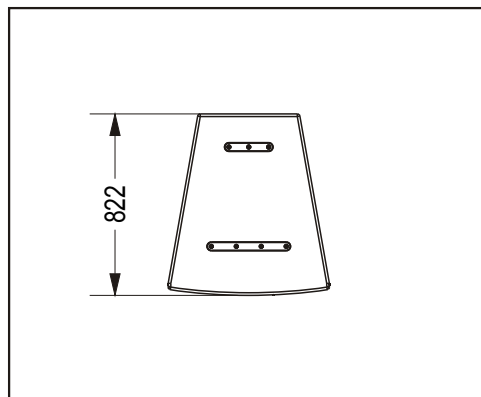
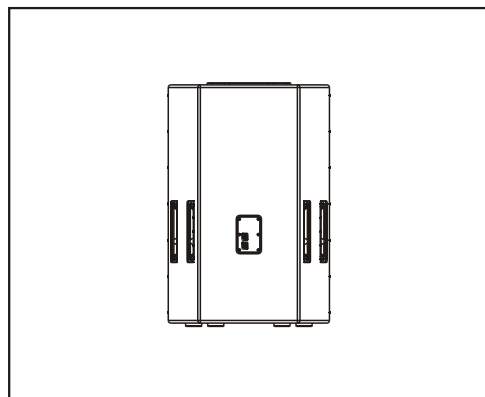
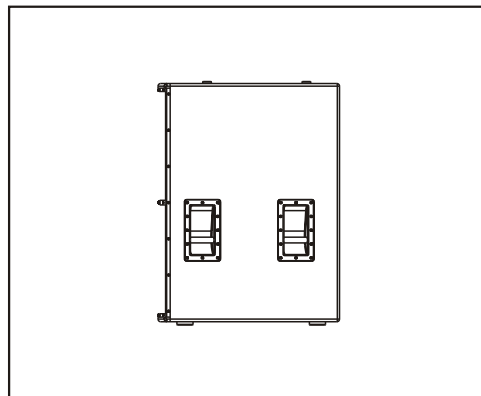
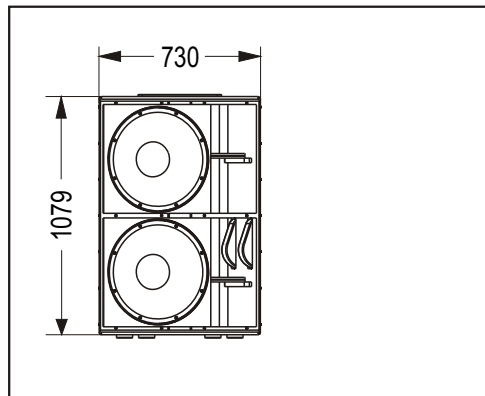
- Suwoofer speaker DS218B is made of quality plywood, be composed by two 18inch transducers. It can be applied for Disc bar, concert hall, club venues. also can be used with DS full range speaker series.

- Phase-revered bass speaker
- Two 18inch subwoofer transducer with dynamic power
- High hardness cabinet structure
- Used for the venues where need high power energy
- Can be used together with DS full range speakers

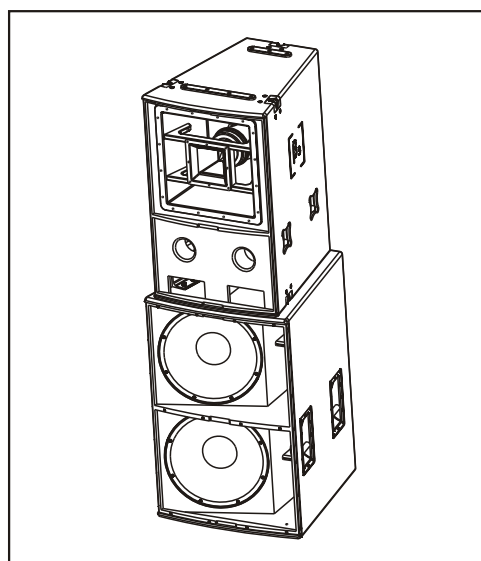
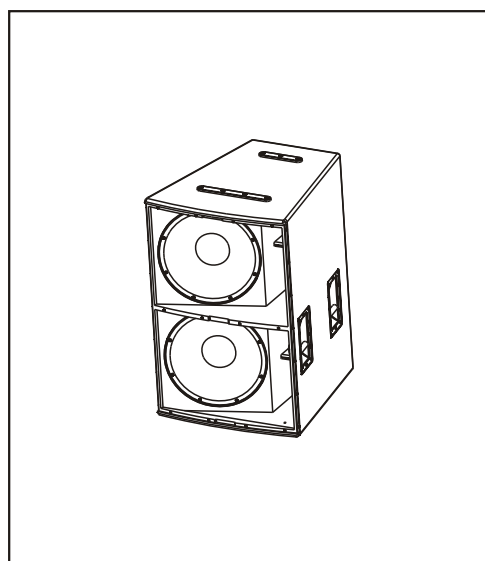
**Specifications:**

Frequency Response:	35Hz ~ 150Hz
Sensitivity(1W/1m):	100dB
Rated Power(RMS/AES Standard):	1000W
Peak Power:	4000W
Rated Impedance:	4 Ohm
DC Impedance:	2.6 Ohm
Input Connectors:	NL4 × 2
Dimensions(W × H × D):	730 × 822 × 1079mm
Packaging Dimensions(W × H × D):	1226 × 870 × 962mm
Net Weight:	97Kg
Gross Weight:	110Kg

Cabinet Dimension:



Installation drawing:



DS218B

PROFESSIONAL SUBWOOFER SPEAKER